



SOLVOCARB® Venturi – Carbon Dioxide for Water Efficient Neutralization at Low Energy Cost



Accurate pH Control and High Chemical Resistance Properties

Linde's SOLVOCARB® product line has been developed as a reliable and safe alternative to meet neutralization and remineralization needs across a broad application spectrum from wastewater to drinking water. The SOLVOCARB venturi is a low pressure drop gas-liquid contactor providing excellent bubble distribution for effective gas dissolution. The spacing of the injection holes in the venturi nozzle has been specifically engineered to reduce localized pH variation. Available in a range of sizes to fit different pipe diameters, it is made from a chemically inert thermoplastic, with good resistance to solvents, alkali solutions and demineralized water.

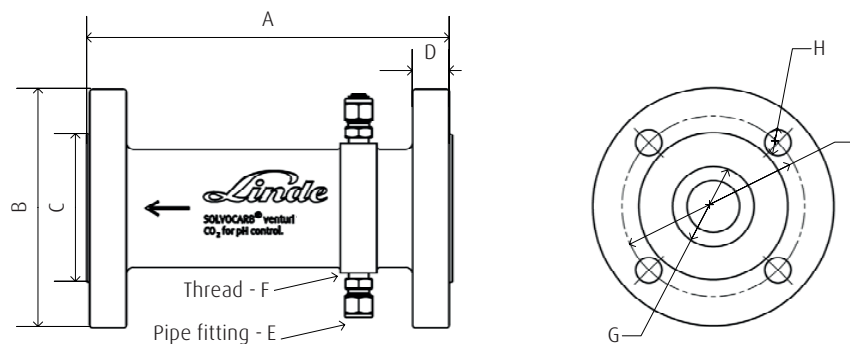
Benefits at a Glance

- Available in different sizes, it can be easily retrofitted to existing installations
- Designed to fit most types of plastic and steel pipes
- The patented design minimizes pressure drops, allowing for low energy consumption
- Minimal maintenance required
- Good chemical resistance to solvents, alkali solutions and demineralized water
- Excellent bubble distribution prevents localized pH variation

Who Can Benefit from SOLVOCARB Venturi?

- Ideal for small- to medium-sized drinking water, process water and industrial wastewater treatment plants
- Operators looking for improved gas dissolution efficiency
- Wastewater with high pH and high temperature

Technical Characteristics and Dimensions



Technical Data Metric System

SOLVOCARB	A	B	C	D	E	F	G	H	I	PS	PT	TS	DN
	mm	mm	mm	mm	mm	BSPP	mm	mm	mm	bar	bar	°C	
Venturi 15	250	165	102	25	10	G ¼"	56	18	125	10	15	0...30	50
Venturi 24	310	200	138	30	10	G ¼"	80	18	160	10	15	0...30	80
Venturi 45	400	220	158	30	12	G ½"	97	18	180	10	15	0...30	100
Venturi 150	500	285	212	37	12	G ½"	141	22	240	6	9	0...30	150
Venturi 250	800	410	320	55	12	G ½"	220	22	350	4	6	0...30	250

Imperial System

SOLVOCARB	A	B	C	D	E	F	G	H	I	PS	PT	TS	ANSI
	inch	inch	inch	inch	inch	BSPP	inch	inch	inch	psi	psi	°F	
Venturi 15	9.8	6.5	4.0	1.0	0.3	G ¼"	2.2	0.7	4.9	145	217	32...90	2"
Venturi 24	12.2	7.9	5.4	1.2	0.3	G ¼"	3.1	0.7	6.3	145	217	32...90	3"
Venturi 45	15.7	8.7	6.2	1.2	0.5	G ½"	3.8	0.7	7.1	145	217	32...90	4"
Venturi 150	19.7	11.2	8.3	1.5	0.5	G ½"	5.6	0.9	9.4	87	130	32...90	6"
Venturi 250	31.5	16.0	13.0	2.2	0.5	G ½"	9.0	0.9	13.8	58	87	32...90	10"

Linde
 10 Riverview Drive
 Danbury, CT 06810
 Phone 1.844.44LINDE (1.844.445.4633), Fax 1.800.772.9985; 716.879.2040
www.lindeus.com/wastewater